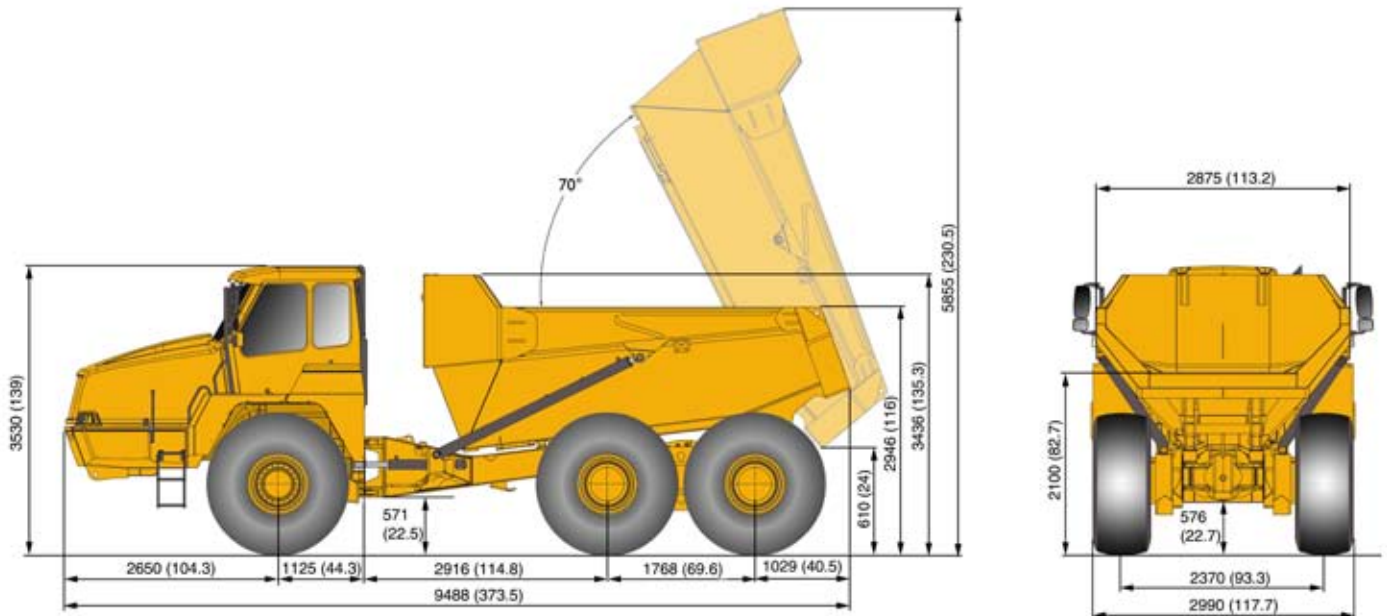


# MOXY ADT RANGE



## MT3 I



millimetres (inches)

### BODY

- Material: Hardened abrasion-resistant steel plates
- Tilt cylinders: Single stage, double-acting
- Tipping time: Up: 11 sec. / Down 10 sec.
- The body is designed for exhaust heating
- Sloping body down from the hinge point

	Cubic Yards	Cubic Metres
• Level capacity :	18	14
• Heaped capacity : (Acc. SAE J 1363, 2:1)	24	18
• Heaped capacity : (Acc. SAE J 1363, 1:1)	29	22

### WEIGHTS

		LB	KG
Empty:	Front axle	25,135	11,425
	Rear axle	25,300	11,500
Loaded:	Front axle	36,300	16,500
	Rear axle	75,735	34,425
Pay load		61,600	28,000
Total weight (loaded)		112,035	50,925

NOTE: All weights include a full fuel tank and operator

### GROUND PRESSURES

		Bar	kPa
Standard 23.5 x 25 tyres with 15% sinkage	Empty:		
	Front axle	1.06	106
	Rear axle	0.54	54
Loaded:	Front axle	1.54	154
	Rear axle	1.63	163

### CAPACITIES

	GALLONS	LITRES
• Fuel Tank	92.4	350
• Hydraulic System	39.6	150
• Engine Cooling System	11.9	45
• Transmission	15.1	57
• Dropbox	8.7	33
• Engine Crankcase	3.5	13.2
• Front Reduction Gear	2 X 0.8	2 X 3
• Rear Differential	8.5	32
• Tandem Housing	2 X 19.8	2 X 75

### SPEEDS

	MPH	KMH
1st	4	6
2nd	6	9
3rd	9	14
4th	14	22
5th	20	33
6th	32	51

### ENGINE

Scania DC 9, water-cooled, unit injected diesel engine with turbo charger and air to air intercooler

- Complies with Stage 3 of EU Directive 97/68/-EC and Tier 3 of USA/California regulations (ISO 8178) for emissions
- Power rating: (1kW = hp/1.36)
  - (ISO 3046) 347 hp (255 kW)
  - (ISO 9249) 336 hp (247 kW)

- No. of cylinders: 5 (in line)
- Cylinder volume: 549 cubic inches (9,0 litres)
- Air filter: Dry type

### TRANSMISSION

- ZF 6 WG 260 Dash 4 electronically-controlled automatic transmission
- The torqueconverter has automatic lock-up in all gears

### BRAKE SYSTEM

- Dual circuit braking system acting on all six wheels
- Approved according to ISO 3450
- All hydraulic operated brakes with disc brakes all round
- Spring actuated hydraulic released parking brake, mounted on propeller shaft
- Max. gradient, parking brake: 20
- Automatic engine brake as standard
- Automatic transmission retarder as standard

### HYDRAULIC SYSTEM

- Pumps: 2 variable displacement piston pumps :
  - for steering & tipping -
  - for cooling, fan, brakes & auxiliaries
- Delivery: 230 l/min @ 2200 rpm
- Filtration: One return flow filter & high pressure filter
- Pressure-setting, main safety valves:
  - Tipping Circuit: 280 bar
  - Steering Circuit: 210 bar

### ELECTRICAL SYSTEM

- Alternator: 28V 100A
- Batteries: (two): 12V 140Ah (series connected to give 24V)
- Starter: 5.4 HP (4,0 kW)

### SUSPENSION

- Front: Independent with long life rubber springs and hydraulic shock absorbers
- Rear: Free-swinging tandem housing

### ARTICULATION HINGE AND STEERING

- Articulation hinge with forward mounted turning ring
- Steering cylinders (two): Double-acting
- The steering is approved according to ISO 5010
- Max. steering angle: 45°
- Ground driven emergency steering pump

### DRIVE LINE

- Full-time 6 x 6 drive with two transverse differentials and one longitudinal
  - Front axle transverse differential: Limited-slip with 45% locking ratio
  - Rear axle transverse differential: Limited slip with 45% locking ratio
  - Inter-axle longitudinal differential: Torque-proportioning differential, integrated into Dropbox
- Torque distribution:
- 1/3 to the front axle
  - 2/3 to the rear axle
  - 100% lockable
- Tandem housing: Gear driven, free-swinging
- Provides equal drive to rear wheels and ensures the best possible ground contact – whatever the ground conditions

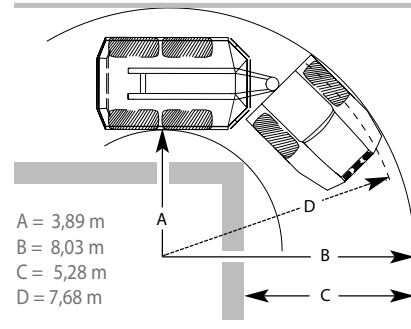
### CAB

- Approved to ROPS/FOPS standards (ISO 3471, ISO 3449, SAE J231 and SAE J1040 April '88)
- Low interior sound level 74 dB(A) (ISO 6394)
- The cab is centrally located on rubber mountings
- Hand and arm vibrations are less than 2,5 m/s according to ISO 5349-2
- Whole body vibration is less than 0,5 m/s according to ISO 2631-1
- Superior visibility – for safer operation
- Superior operating controls location
- Adjustable suspended operator seat
- Adjustable steering column
- Heater and Air Conditioning
- Tilting for service access

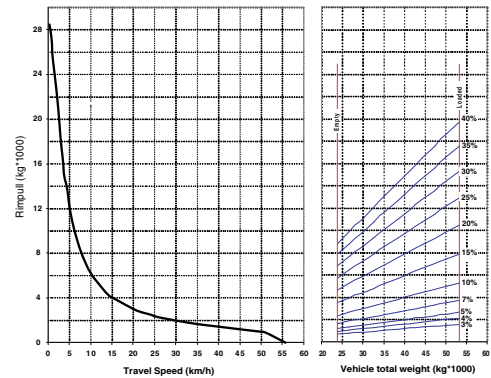
### TIRES

Standard 23,5 R25 two star radial

Turning radius according to ISO 7457: 25.2 feet (7,68 m)



### PERFORMANCE DIAGRAM



**Moxy Engineering AS**  
N-6440 Elnesvågen, Norway  
Tel.: +47 71 26 85 00  
Fax.: +47 71 26 85 55  
moxy@moxy.no  
www.moxy.no

**Moxy Trucks of America, LLC**  
One Kovach Drive  
Cincinnati, Ohio 45215  
Tel.: +513 821 2000  
Fax.: +513 587 3000  
Free.: +800 423 5923

Moxy operates a policy of continuous development and improvement and as such all specifications are subject to change at any time without prior notice