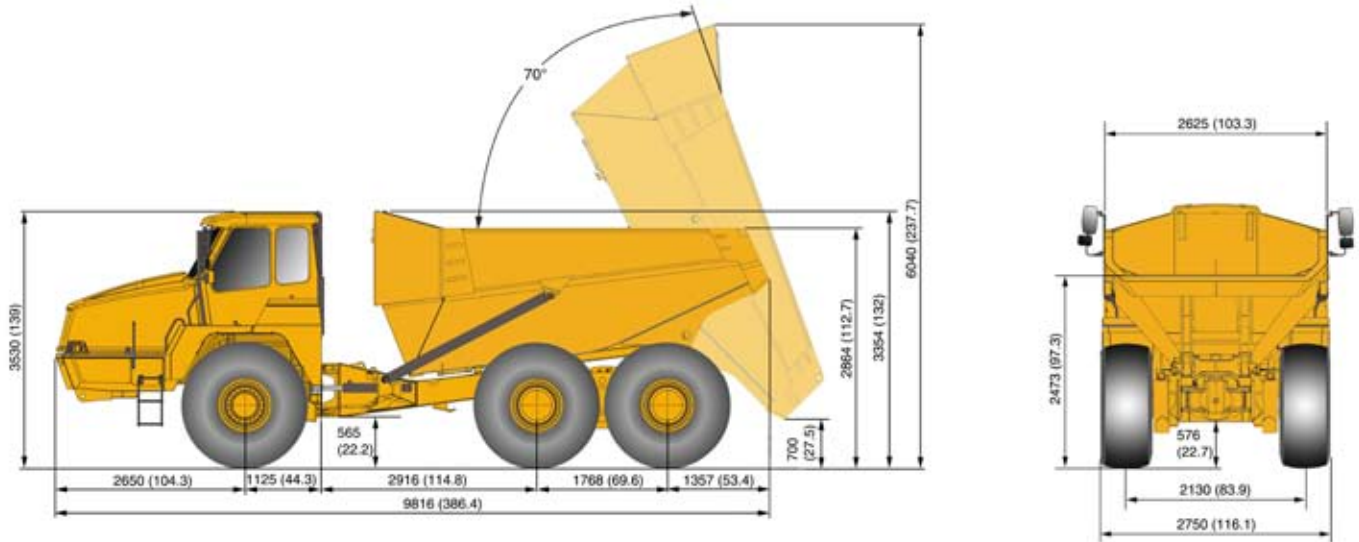


# MOXY ADT RANGE



## MT26



millimetres (inches)

### BODY

- Material: Hardened abrasion-resistant steel plates
- Tilt cylinders: Single stage, double-acting
- Tipping time: Up: 11 sec. / Down 10 sec.
- The body is designed for exhaust heating
- Sloping body down from the hinge point

### CAPACITIES

- Level capacity :
- Heaped capacity : (Acc. SAE J 1363, 2:1)
- Heaped capacity : (Acc. SAE J 1363, 1:1)

	Cubic Yards	Cubic Metres
Level capacity :	16	12
Heaped capacity : (Acc. SAE J 1363, 2:1)	20	15
Heaped capacity : (Acc. SAE J 1363, 1:1)	24	18

### WEIGHTS

	LB	KG
Empty: Front axle	24,640	11,200
Rear axle	21,230	9,650
Loaded: Front axle	32,164	14,620
Rear axle	66,726	30,330
Pay load	53,020	24,100
Total weight (loaded)	98,890	44,950

NOTE: All weights include a full fuel tank and operator

### GROUND PRESSURES

	Bar	kPa
Standard 23.5 x 25 tyres with 15% sinkage		
Empty: Front axle	1.07	107
Rear axle	0.45	45
Loaded: Front axle	1.38	138
Rear axle	1.44	144

### CAPACITIES

- Fuel Tank
- Hydraulic System
- Engine Cooling System
- Transmission
- Dropbox
- Engine Crankcase
- Front Reduction Gear
- Rear Differential
- Tandem Housing

	GALLONS	LITRES
Fuel Tank	84.5	320
Hydraulic System	36.4	138
Engine Cooling System	11.9	45
Transmission	15.1	57
Dropbox	8.7	33
Engine Crankcase	3.5	13.2
Front Reduction Gear	2 X 0.80	2 X 3
Rear Differential	8.5	32
Tandem Housing	2 X 19.8	2 X 75

### SPEEDS

	MPH	KMH
1st	3.72	6
2nd	5.58	9
3rd	8.68	14
4th	13.64	22
5th	20.46	33
6th	31.62	51

### ENGINE

- Scania DC 9, water-cooled, unit injected diesel engine with turbo charger and air to air intercooler
- Complies with Stage 3 of EU Directive 97/68/-EC and Tier 3 of USA/California regulations (ISO 8178) for emissions
- Power rating: (1kW = hp/1.36)
  - (ISO 3046) 310 hp (228 kW)
  - (ISO 9249) 299 hp (220 kW)

- No. of cylinders: 5 (in line)
- Cylinder volume: 549 cubic inches (9,0 litres)
- Air filter: Dry type

### TRANSMISSION

ZF 6 WG 260 Dash 4 electronically-controlled automatic transmission the torqueconverter has automatic lock-up in all gears

### BRAKE SYSTEM

- Dual circuit braking system acting on all six wheels
- Approved according to ISO 3450
- All hydraulic operated brakes with enclosed oil-cooled wet multiple discs all round
- Spring actuated hydraulic released parking brake, mounted on propeller shaft
- Max. gradient, parking brake: 20
- Automatic engine brake as standard
- Automatic transmission retarder as standard

### HYDRAULIC SYSTEM

- Pumps: 2 variable displacement piston pumps : for steering & tipping - for cooling, fan, brakes & auxiliaries
- Delivery: 230 l/min @ 2200 rpm
- Filtration: One return flow filter & high pressure filter
- Pressure-setting, main safety valves:
- Tipping Circuit: 280 bar
- Steering Circuit: 210 bar

### ELECTRICAL SYSTEM

- Alternator: 28V 100A
- Batteries: (two): 12V 140Ah (series connected to give 24V)
- Starter: 5.4 HP (4,0 kW)

#### SUSPENSION

- Front: Independent with long life rubber springs and hydraulic shock absorbers
- Rear: Free-swinging tandem housing

#### ARTICULATION HINGE AND STEERING

- Articulation hinge with forward mounted turning ring
- Steering cylinders (two): Double-acting
- The steering is approved according to ISO 5010
- Max. steering angle: 45°
- Ground driven emergency steering pump

#### DRIVE LINE

- Full-time 6 x 6 drive with two transverse differentials and one longitudinal
- Front axle transverse differential: Limited-slip with 45% locking ratio
- Rear axle transverse differential: Limited slip with 45% locking ratio
- Inter-axle longitudinal differential: Torque-proportioning differential, integrated into Dropbox
- Torque distribution:
  - 1/3 to the front axle
  - 2/3 to the rear axle
  - 100% lockable
- Tandem housing: Gear driven, free-swinging.  
Provides equal drive to rear wheels and ensures the best possible ground contact – whatever the ground conditions

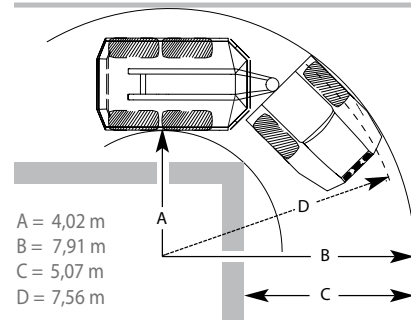
#### CAB

- Approved to ROPS/FOPS standards (ISO 3471, ISO 3449, SAE J231 and SAE J1040 April '88)
- Low interior sound level 74 dB(A) (ISO 6394)
- The cab is centrally located on rubber mountings
- Hand and arm vibrations are less than 2,5 m/s according to ISO 5349-2
- Whole body vibration is less than 0,5 m/s according to ISO 2631-1
- Superior visibility – for safer operation
- Superior operating controls location
- Adjustable suspended operator seat
- Adjustable steering column
- Heater and Air Conditioning
- Tilting for service access

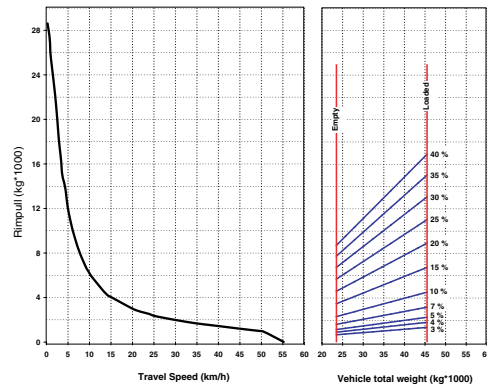
#### TIRES

- Standard 23,5 R25 two star radial

Turning radius according to ISO 7457: 24.8 feet (7,56 m)



#### PERFORMANCE DIAGRAM



**Moxby Engineering AS**  
N-6440 Elnesvågen, Norway  
Tel.: +47 71 26 85 00  
Fax.: +47 71 26 85 55  
moxby@moxby.no  
www.moxby.no

**Moxby Trucks of America, LLC**  
One Kovach Drive  
Cincinnati, Ohio 45215  
Tel.: +513 821 2000  
Fax.: +513 587 3000  
Free.: +800 423 5923