

McCloskey

INTERNATIONAL

G44

Features & Benefits:

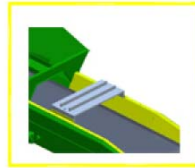
Feeder

Heavy Duty with a hardox steel hopper.



Metal Detector

This combined with the hopper helps to protect the cone.



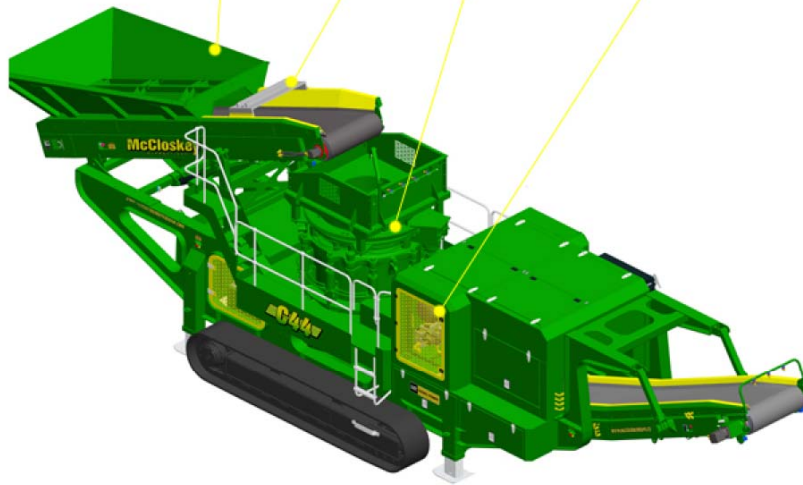
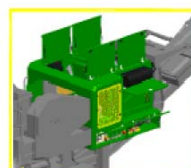
Crusher

Telsmith cone - built to be reliable in the toughest operating conditions.

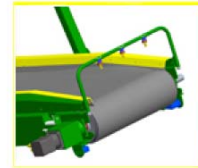


Powerunit

CAT 450HP engine with all round access for maintenance.



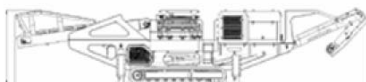
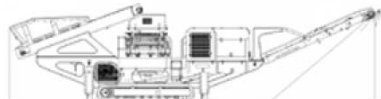
Options:



Dust Suppression



Roll-in bogie



McCloskey

INTERNATIONAL

North & South America
1 McCloskey Road, R,R#7
Peterborough, Ontario Canada,
K9J 6X8
1-877-Trommel
T (705) 295-4925
F (705) 295-4777
mccloskey@mccloskeyInternational.com

UK & International
47 Moor Road,
Coal Island,
Co. Tyrone,
N. Ireland BT71 4QB
T +44(0) 2887-740-926
F +44(0) 2881-747-242
salesuk@mccloskeyInternational.com

All specifications subject to change without prior notification.

www.mccloskeyinternational.com