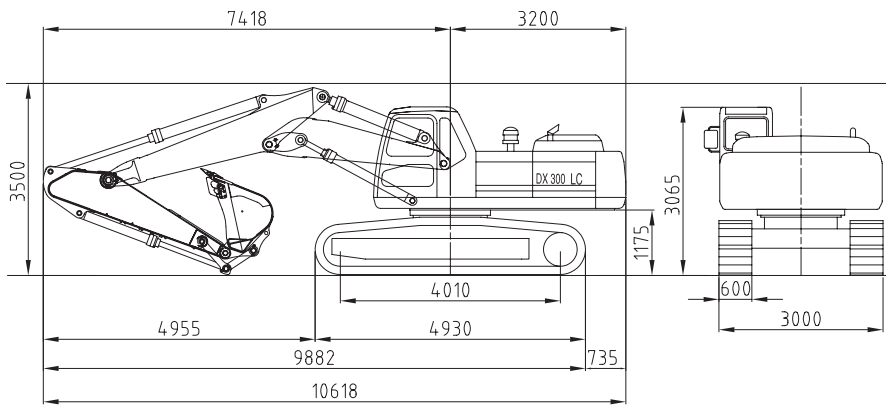


# DX300 Arti Boom

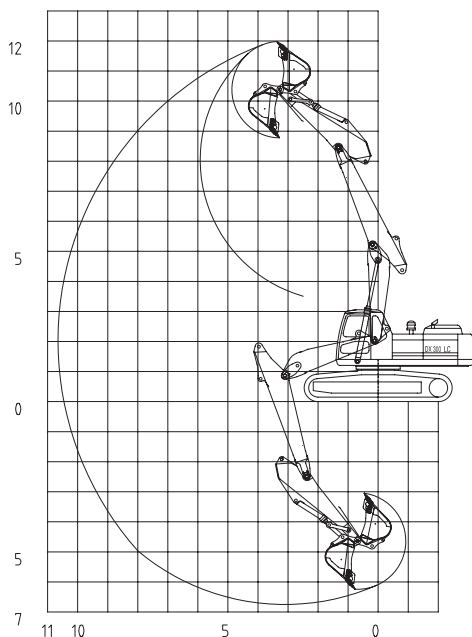
Engine power: 147 kW / 197 Hp at 1.900 rpm  
Operational weight: 30.209 kg  
Bucket capacity (SAE): 1,27 m<sup>3</sup>

## Dimensions

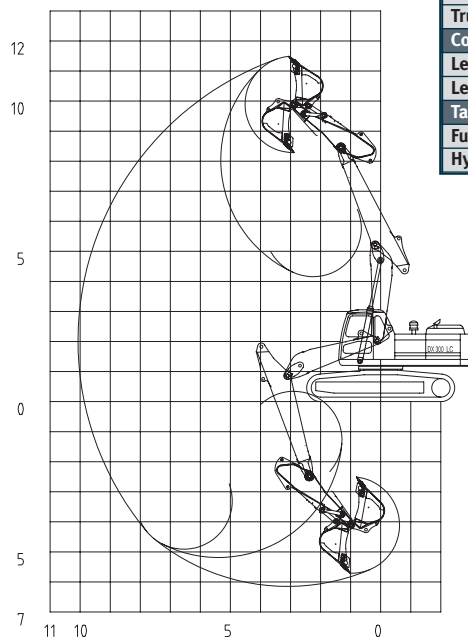


Operating weight	kg	30.209
Bucket		
Capacity	m <sup>3</sup>	1,27
Engine		
Model		DOOSAN DLo8
Displacement	cc	7.640
Rated power/R.P.M.	Hp/rpm kW/rpm	197/1.900 147/1.900
Front Attachment		
Arm (Std)	mm	2.500
Arm (Long)	mm	3.100
Transport Dimension		
Length	mm	10.168
Height (boom)	mm	3.500
Width	mm	3.000
Working Range		
Max. digging depth	mm	6.750
Max. digging height	mm	12.500
Max. digging reach	mm	10.800
Performance		
Travelling speed	km/h	5,1 / 3
Swing speed	rpm	9,9
Hydraulics		
Pump type		Tandem, Axial Piston
Max. flow rate	l/min	2 x 247
Track		
Shoe Width	mm	600
Trumbler distance	mm	4.010
Control		
Lever control type		Hydraulic pilot
Lever pattern		SAE
Tank		
Fuel tank	l	500
Hydraulic tank	l	160

## Working Ranges



AVAMBRACCIO MT. 3.1



AVAMBRACCIO MT. 2.5

